

ZYLOK TUBE FITTINGS

MALE CONNECTOR :-

MATRIC RANGE

Dimensions in mm

T TUBE OD	P NPT Male	A Length	B	C	F A/F	G A/F	H	CHINTAN SALES PARTNO.
3	1/8	30.5	9.6	15.3	11	11	23.9	Z3MMC2
3	1/4	35.6	14.3	15.3	14	11	29.0	Z3MMC4
6	1/8	32.8	9.6	17.7	14	14	25.3	Z6MMC2
6	1/4	37.9	14.3	17.7	14	14	30.5	Z6MMC4
6	3/8	38.4	14.3	17.7	19	14	31.0	Z6MMC6
6	1/2	44.7	19.1	17.7	22	14	37.3	Z6MMC8
8	1/8	34.2	9.6	18.6	14	16	26.7	Z8MMC2
8	1/4	38.7	14.3	18.6	14	16	31.2	Z8MMC4
8	3/8	39.3	14.3	18.6	19	16	31.8	Z8MMC6
8	1/2	45.6	19.1	18.6	22	16	38.1	Z8MMC8
10	1/8	36.3	9.6	19.5	17	19	28.7	Z10MMC2
10	1/4	40.9	14.3	19.5	19	19	33.3	Z10MMC4
10	3/8	40.9	14.3	19.5	19	19	33.3	Z10MMC6

ZYLOK TUBE FITTINGS

MALE CONNECTOR :-

MATRIC RANGE

Dimensions in mm

T TUBE OD	P NPT Male	A Length	B	C	F A/F	G A/F	H	CHINTAN SALES PARTNO.
10	1/2	46.5	19.1	19.5	22	19	38.9	Z10MMC8
12	1/4	43.4	14.3	22.0	22	22	33.3	Z12MMC4
12	3/8	43.4	14.3	22.0	22	22	33.3	Z12MMC6
12	1/2	49.0	19.1	22.0	22	22	38.9	Z12MMC8
12	3/4	50.5	19.1	22.0	27	22	40.4	Z12MMC12
12	1	57.1	23.8	22.0	35	22	47.0	Z12MMC16
14	1/4	44.1	14.3	22.0	24	25	34.0	Z14MMC4
14	3/8	44.1	14.3	22.0	24	25	34.0	Z14MMC6
14	1/2	49.0	19.1	22.0	24	25	38.9	Z14MMC8
15	1/2	49.0	19.1	22.0	24	25	38.9	Z15MMC8
16	3/8	44.1	14.3	22.0	24	25	34.0	Z16MMC6
16	1/2	49.0	19.1	22.0	24	25	38.9	Z16MMC8
16	3/4	50.5	19.1	22.0	27	25	40.4	Z16MMC12

ZYLOK TUBE FITTINGS

MALE CONNECTOR :-

MATRIC RANGE

Dimensions in mm

T TUBE OD	P NPT Male	A Length	B	C	F A/F	G A/F	H	CHINTAN SALES PARTNO.
18	1/2	50.5	19.1	22.0	27	30	40.4	Z18MMC8
18	3/4	50.5	19.1	22.0	27	30	40.4	Z18MMC12
20	1/2	52.3	19.1	22.0	30	32	42.2	Z20MMC8
20	3/4	52.3	19.1	22.0	30	32	42.2	Z20MMC12
22	3/4	52.3	19.1	22.0	30	32	42.2	Z22MMC12
22	1	57.1	23.8	22.0	35	32	47.0	Z22MMC16
25	1/2	57.5	19.1	26.5	35	38	45.2	Z25MMC8
25	3/4	57.5	19.1	26.5	35	38	45.2	Z25MMC12
25	1	62.3	23.8	26.5	35	38	50.0	Z25MMC16

ZYLOK TUBE FITTINGS

MALE CONNECTOR :-

INCHES RANGE

Dimensions in inches

T TUBE OD	P NPT Male	A Length	B	C	F A/F	G A/F	H	CHINTAN SALES PARTNO.
1/16	1/16	0.94	0.38	0.44	5/16	5/16	0.78	Z1MC1
1/16	1/8	1.00	0.38	0.44	1/2	5/16	0.84	Z1MC2
1/8	1/8	1.19	0.38	0.63	1/2	7/16	0.91	Z2MC2
1/8	1/4	1.41	0.56	0.63	9/16	7/16	1.13	Z2MC4
1/4	1/8	1.29	0.38	0.70	1/2	9/16	1.00	Z4MC2
1/4	1/4	1.50	0.56	0.70	9/16	9/16	1.19	Z4MC4
1/4	3/8	1.51	0.56	0.70	11/16	9/16	1.19	Z4MC6
1/4	1/2	1.73	0.75	0.70	7/8	9/16	1.44	Z4MC8
5/16	1/4	1.52	0.56	0.73	9/16	5/8	1.23	Z5MC2
3/8	1/8	1.38	0.38	0.76	5/8	11/16	1.09	Z6MC2
3/8	1/4	1.57	0.56	0.76	5/8	11/16	1.28	Z6MC4
3/8	3/8	1.57	0.56	0.76	11/16	11/16	1.28	Z6MC6

ZYLOK TUBE FITTINGS

MALE CONNECTOR :-

INCHES RANGE

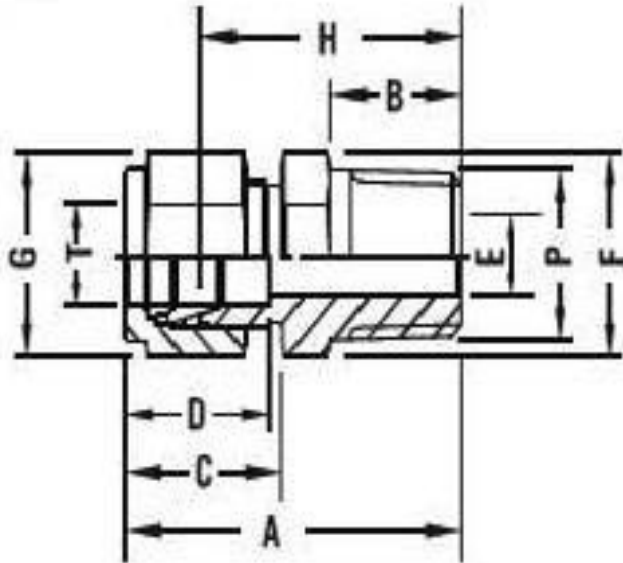
Dimensions in inches

T TUBE OD	P NPT Male	A Length	B	C	F A/F	G A/F	H	CHINTAN SALES PARTNO.
3/8	1/2	1.79	0.75	0.76	7/8	11/16	1.50	Z6MC8
1/2	1/4	1.17	0.56	0.86	13/16	7/8	1.31	Z8MC4
1/2	3/8	1.71	0.56	0.86	13/16	7/8	1.31	Z8MC6
1/2	1/2	1.90	0.75	0.86	7/8	7/8	1.50	Z8MC8
1/2	3/4	1.93	0.75	0.86	1-1/16	7/8	1.53	Z8MC12
5/8	3/8	1.74	0.56	0.86	15/16	1	1.34	Z10MC6
5/8	1/2	1.93	0.75	0.86	15/16	1	1.53	Z10MC8
3/4	1/2	1.99	0.75	0.86	1-1/16	1-1/8	1.59	Z12MC8
3/4	3/4	1.99	0.75	0.86	1-1/16	1-1/8	1.59	Z12MC12
3/4	1	2.21	0.94	0.86	1-3/16	1-1/8	1.81	Z12MC16
1	3/4	2.26	0.75	1.04	1-3/8	1-1/2	1.78	Z16MC12
1	1	2.45	0.94	1.04	1-3/8	1-1/2	1.97	Z16MC16

ZYLOK TUBE FITTINGS

PRODUCT PHOTOS:-

MALE CONNECTOR



ZYLOK TUBE FITTINGS

FEMALE CONNECTOR :-

MATRIC RANGE

Dimensions in mm

T TUBE OD	P NPT Male	A Length	B	C	F A/F	G A/F	H	CHINTANSALES PART NO.
4	1/8	30.16	10	16.67	14	12	23.02	Z4MFC2
6	1/8	31.75	10	18.26	14	14	23.81	Z6MFC2
6	1/4	36.51	14	18.26	19	14	28.58	Z6MFC4
6	3/8	38.07	14	18.26	22	14	30.16	Z6MFC6
6	1/2	43.66	19	18.26	27	14	35.72	Z6MFC8
8	1/8	32.54	10	19.05	14	17	24.61	Z8MFC2
8	1/4	37.31	14	19.05	19	17	29.37	Z8MFC4
10	1/8	33.34	10	19.84	17	19	25.40	Z10MFC2
10	1/4	38.10	14	19.84	19	19	30.16	Z10MFC4
10	3/8	39.69	14	19.82	22	19	31.75	Z10MFC6

ZYLOK TUBE FITTINGS

FEMALE CONNECTOR :-

MATRIC RANGE

Dimensions in mm

T TUBE OD	P NPT Male	A Length	B	C	F A/F	G A/F	H	CHINTANSALES PART NO.
10	1/2	44.45	19	19.84	27	19	36.51	Z10MFC8
12	1/4	42.07	14	22.23	22	22	31.75	Z12MFC4
12	3/8	42.07	14	22.23	22	22	31.75	Z12MFC6
12	1/2	46.83	19	22.23	27	22	36.51	Z12MFC8
16	1/2	46.83	19	22.23	27	27	36.51	Z16MFC8
18	1/2	46.83	19	22.23	27	30	36.51	Z18MFC8
18	3/4	48.42	19	22.23	32	30	38.10	Z18MFC12
20	1/2	46.83	19	22.23	27	30	36.51	Z20MFC8
20	3/4	48.42	19	22.23	32	30	38.10	Z20MFC12
25	3/4	53.18	19	26.19	36	41	41.28	Z25MFC12
25	1	61.91	24	26.19	41	41	50.00	Z25MFC16

ZYLOK TUBE FITTINGS

FEMALE CONNECTOR :-

IMPERIAL RANGE

Dimensions in inches

T TUBE OD	P NPT Male	A Length	B	C	F A/F	G A/F	H	CHINTANSALES PART NO.
1/16	1/16	0.94	0.36	0.44	1/2	5/16	0.78	Z1FC1
1/8	1/8	1.16	0.39	0.63	9/16	7/16	0.88	Z2FC2
1/8	1/4	1.16	0.59	0.63	3/4	7/16	1.06	Z2FC4
3/16	1/8	1.17	0.39	0.63	9/16	9/16	0.91	Z3FC2
1/4	1/8	1.23	0.39	0.70	9/16	9/16	0.94	Z4FC2
1/4	1/4	1.41	0.59	0.70	3/4	9/16	1.12	Z4FC4
1/4	3/8	1.48	0.59	0.70	7/8	9/16	1.19	Z4FC6
1/4	1/2	1.70	0.78	0.70	1-1/16	9/16	1.41	Z4FC8
5/16	1/8	1.26	0.39	0.73	3/4	5/8	0.97	Z5FC2
5/16	1/4	1.45	0.59	0.73	3/4	5/8	1.16	Z5FC4
3/8	1/8	1.29	0.39	0.76	5/8	11/16	1.00	Z6FC2
3/8	1/4	1.48	0.59	0.76	3/4	11/16	1.19	Z6FC4

ZYLOK TUBE FITTINGS

FEMALE CONNECTOR :-

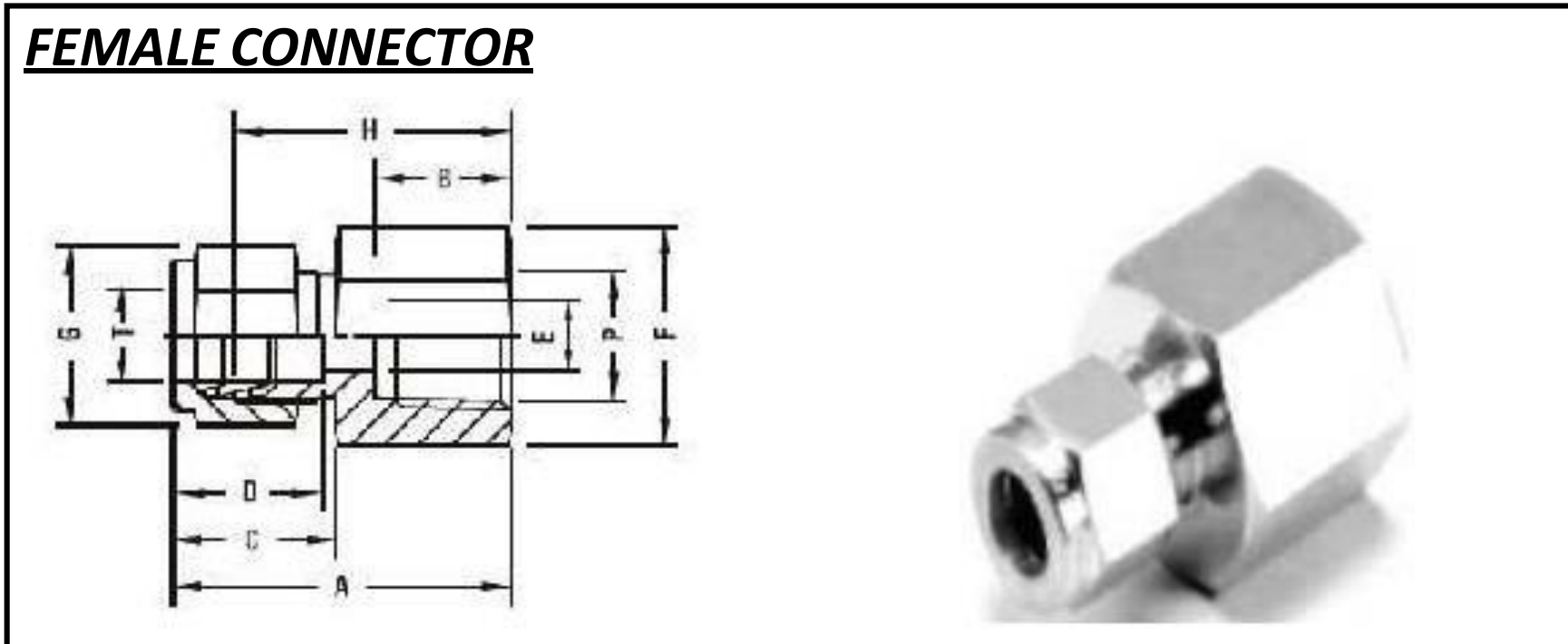
IMPERIAL RANGE

Dimensions in inches

T TUBE OD	P NPT Male	A Length	B	C	F A/F	G A/F	H	CHINTANSALES PART NO.
3/8	3/8	1.54	0.59	0.76	7/8	11/16	1.25	Z6FC6
3/8	1/2	1.73	0.78	0.76	1-1/16	11/16	1.44	Z6FC8
1/2	1/4	1.65	0.59	0.86	13/16	7/8	1.25	Z8FC4
1/2	3/8	1.65	0.59	0.86	7/8	7/8	1.25	Z8FC6
1/2	1/2	1.84	0.78	0.86	1-1/16	7/8	1.44	Z8FC8
5/8	3/8	1.65	0.59	0.86	5/16	1	1.25	Z10FC6
5/8	1/2	1.84	0.78	0.86	1-1/16	1	1.44	Z10FC8
3/4	1/2	1.84	0.78	0.86	1-1/16	1-1/8	1.44	Z12FC8
3/4	3/4	1.90	0.81	0.86	1-5/16	1-1/8	1.50	Z12FC12
1	3/4	2.10	0.81	1.04	1-3/8	1-1/2	1.62	Z16FC12
1	1	2.45	1.00	1.04	1-5/8	1-1/2	1.97	Z16FC16

ZYLOK TUBE FITTINGS

PRODUCT PHOTOS:-



ZYLOK TUBE FITTINGS

EQUAL UNION:-

METRIC RANGE

Dimensions in mm

T TUBE OD	A Length	C	F A/F	G A/F	H	CHINTANSALES PART NO.
4	38.50	16.67	12	12	24.21	Z4MU
6	42.07	18.26	14	14	26.19	Z6MU
8	44.04	19.05	14	17	28.18	Z8MU
10	46.04	19.84	17	19	30.16	Z10MU
12	51.59	22.23	22	22	30.96	Z12MU
16	52.39	22.23	24	27	31.71	Z16MU
18	53.98	22.23	27	30	33.34	Z18MU
20	53.98	22.23	30	32	33.44	Z20MU
25	64.29	26.19	36	41	40.48	Z25MU

ZYLOK TUBE FITTINGS

EQUAL UNION:-

IMPERIAL RANGE

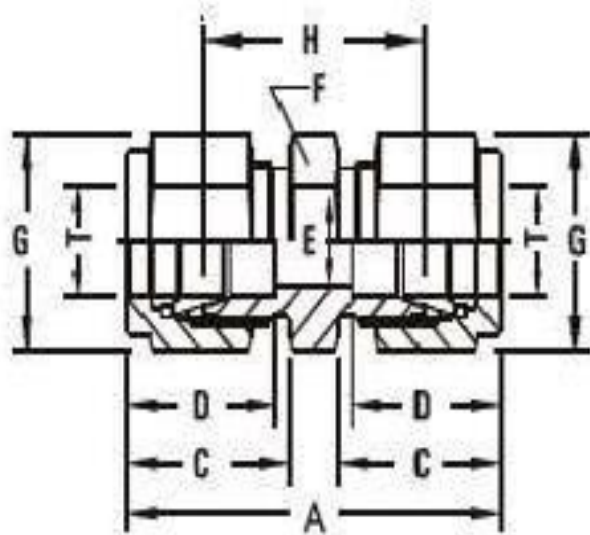
Dimensions in Inches

T TUBE OD	A Length	C	F A/F	G A/F	H	CHINTANSALES PART NO.
1/16	1.00	0.44	5/16	5/16	0.69	Z1U
1/8	1.44	0.63	1/2	7/16	0.88	Z2U
3/16	1.47	0.63	7/16	1/2	0.95	Z3U
1/4	1.61	0.70	1/2	9/16	1.03	Z4U
5/16	1.68	0.73	9/16	5/8	1.10	Z5U
3/8	1.77	0.76	5/8	11/16	1.19	Z6U
1/2	2.02	0.86	13/16	5/8	1.22	8ZU
5/8	2.05	0.86	15/16	1	1.25	Z10U
3/4	2.11	0.86	1-1/16	1-1/8	1.31	Z12U
1	2.55	1.04	1-3/8	1-1/2	1.59	Z16U

ZYLOK TUBE FITTINGS

PRODUCT PHOTOS:-

EQUAL UNION



ZYLOK TUBE FITTINGS

REDUCING UNION:-

METRIC RANGE

Dimensions in mm

T TUBE OD	Tx TUBE OD	A Length	F A/F	G A/F	Gx A/F	H	CHINTAN SALES PART NO.
6	4	40.48	14	14	12	25.40	Z6-4MRU
8	6	43.26	14	17	14	27.38	Z8-6MRU
10	6	44.45	17	19	14	28.58	Z10-6MRU
10	8	45.24	17	19	17	29.37	Z10-8MRU
12	6	47.63	22	22	14	29.37	Z12-6MRU
12	10	49.21	22	22	19	30.96	Z12-10MRU
16	10	50.01	24	27	19	31.75	Z16-10MRU
16	12	52.39	24	27	22	31.75	Z16-12MRU
20	12	53.98	27	30	22	33.34	Z20-12MRU
20	16	53.98	27	30	27	33.34	Z20-16MRU
25	20	60.32	36	41	30	38.10	Z25-16MRU

ZYLOK TUBE FITTINGS

REDUCING UNION:-

IMPERIAL RANGE

Dimensions in Inches

T TUBE OD	Tx TUBE OD	A Length	F A/F	G A/F	Gx A/F	H	CHINTAN SALES PART NO.
1/8	1/16	1.25	1/2	7/16	5/16	0.81	Z2RU1
3/16	1/8	1.48	1/2	1/2	7/16	0.92	Z3RU2
1/4	1/16	1.37	1/2	9/16	5/16	0.91	Z4RU1
1/4	1/8	1.56	1/2	9/16	7/16	0.97	Z4RU2
1/4	3/16	1.55	1/2	9/16	1/2	1.00	Z4RU6
5/16	1/4	1.66	9/16	5/8	9/16	1.08	Z5RU4
3/8	1/4	1.70	5/8	11/16	9/16	1.12	Z6RU4
3/8	5/16	1.74	5/8	11/16	5/8	1.16	Z6RU5

ZYLOK TUBE FITTINGS

REDUCING UNION:-

IMPERIAL RANGE

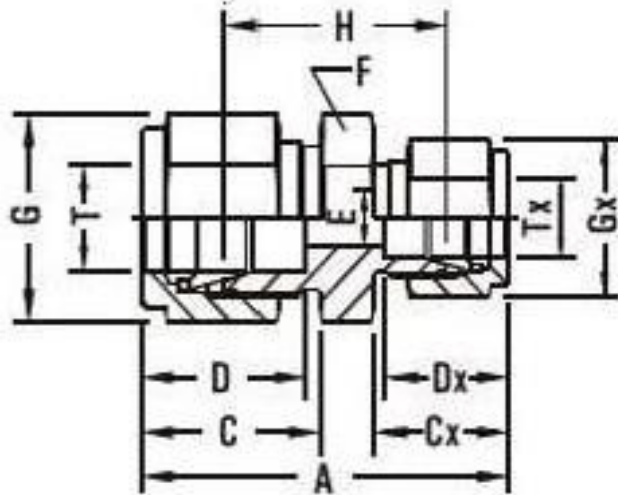
Dimensions in Inches

T TUBE OD	Tx. TUBE OD	A Length	F A/F	G A/F	Gx. A/F	H	CHINTAN SALES PART NO.
1/2	1/4	1.85	13/16	5/8	9/16	1.16	Z8RU4
1/2	3/8	1.91	13/16	7/8	11/16	1.22	Z8RU6
5/8	3/8	1.94	15/16	1	11/16	1.25	Z10RU6
5/8	1/2	2.05	15/16	1	7/8	1.25	Z10RU8
3/4	1/2	2.11	1-1/16	1-1/8	7/8	1.31	Z12RU8
3/4	5/8	2.11	1-1/16	1-1/8	1	1.31	Z12RU10
1	3/4	2.47	1-3/8	1-1/2	1-1/8	1.59	Z16RU12

ZYLOK TUBE FITTINGS

PRODUCT PHOTOS:-

REDUCING UNION:-



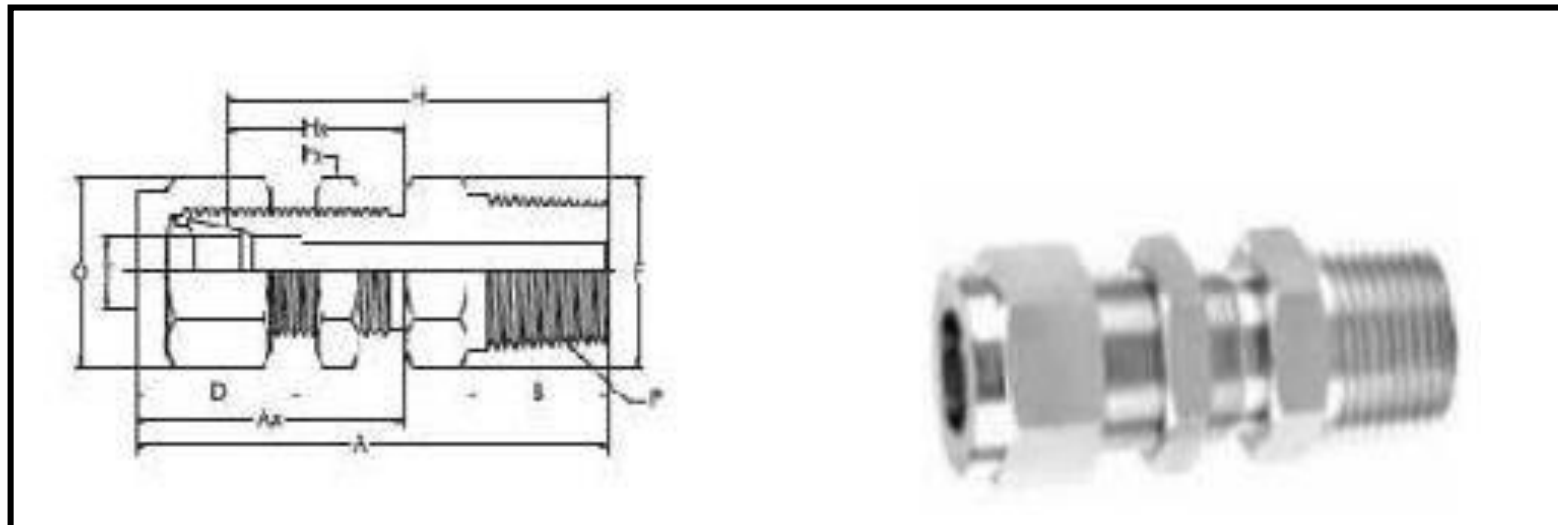
ZYLOK TUBE FITTINGS

BULKHEAD MALE CONNECTOR:-

IMPERIAL RANGE

Dimensions in inches

T TUB E OD	P NPT Male	A Length	Ax	Fx A/F	F A/F	G A/F	H	CHINTAN SALES PART NO.
1/8	1/8	1.95	1.32	5/8	5/8	9/16	1.66	Z2MBH2
1/4	1/4	2.10	1.32	5/8	5/8	9/16	1.81	Z4MBH4
3/8	3/8	2.26	1.45	3/4	3/4	11/16	1.97	Z6MBH6
1/2	1/2	2.68	1.65	15/16	15/16	7/8	2.28	Z8MBH8



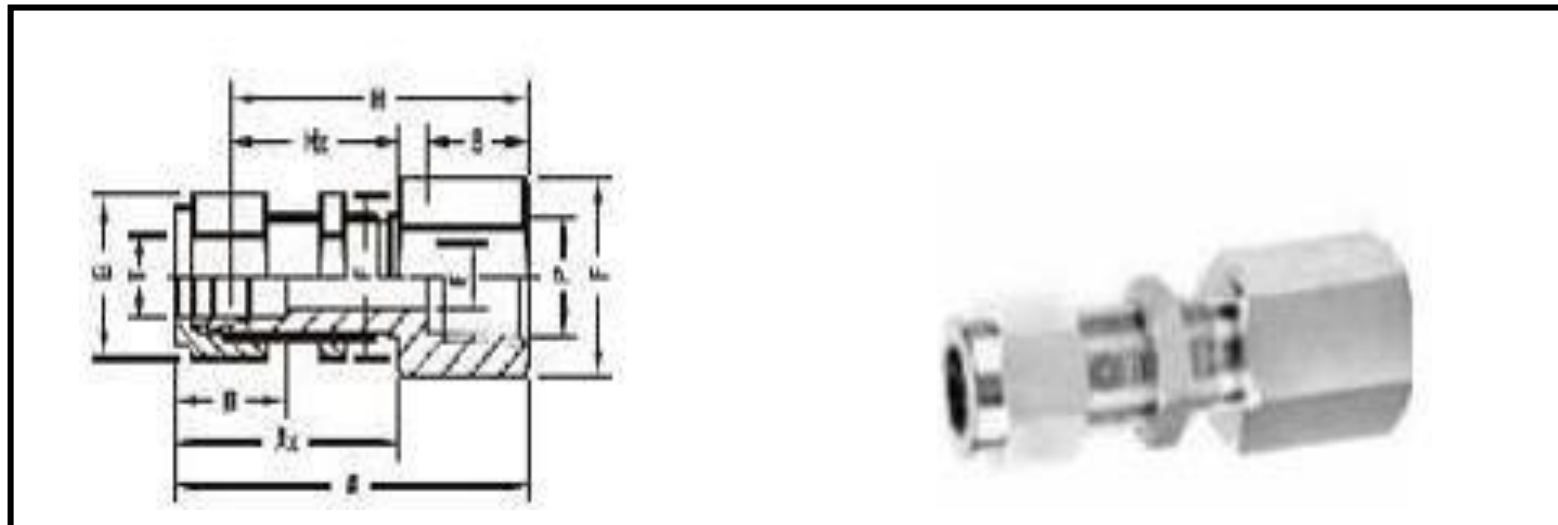
ZYLOK TUBE FITTINGS

BULKHEAD FEMALE CONNECTOR:-

IMPERIAL RANGE

Dimensions in inches

T TUB E OD	P NPT Male	A Length	Ax	Fx A/F	F A/F	G A/F	H	CHINTAN SALES PART NO.
1/8	1/8	1.85	1.32	5/8	5/8	9/16	1.56	Z2FBH2
1/4	1/4	2.04	1.32	5/8	3/4	9/16	1.75	Z4FBH4
3/8	3/8	2.17	1.45	3/4	3/4	11/16	1.88	Z6FBH6
1/2	1/2	2.62	1.65	15/16	1-1/16	7/8	2.22	Z8FBH8



ZYLOK TUBE FITTINGS

BULKHEAD UNION:-

METRIC RANGE

Dimensions in mm

T TUBE OD	A Length	Ax	F A/F	G A/F	H	CHINTAN SALES PART NO.
4	54.77	32.54	14	12	40.48	Z4MBHU
6	58.74	34.13	17	14	42.86	Z6MBHU
8	61.91	36.51	17	17	46.04	Z8MBHU
10	63.50	37.71	19	19	47.63	Z10MBHU
12	71.44	42.07	24	22	50.80	Z12MBHU
16	73.03	42.86	27	27	50.80	Z16MBHU
18	73.03	47.63	30	30	58.74	Z18MBHU
20	79.38	47.63	30	30	58.74	Z20MBHU
25	95.25	57.15	41	41	71.44	Z25MBHU

ZYLOK TUBE FITTINGS

BULKHEAD UNION:-

IMPERIAL RANGE

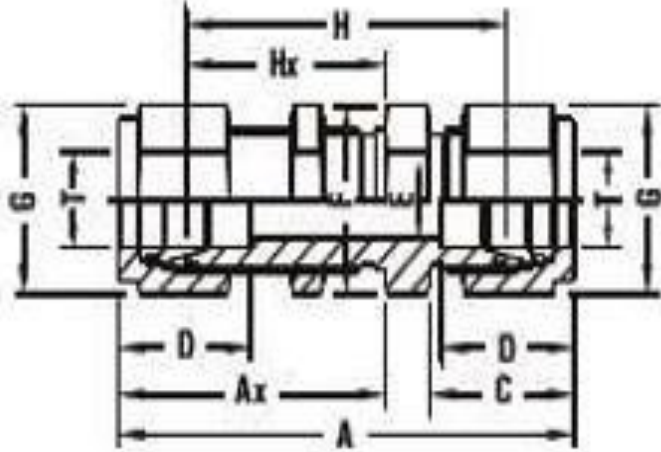
Dimensions in Inches

T TUBE OD	A Length	Ax	F A/F	G A/F	H	CHINTAN SALES PART NO.
1/8	2.10	1.25	1/2	7/16	0.77	Z2BHU
3/16	2.11	1.26	9/16	1/2	1.59	Z3BHU
1/4	2.27	1.32	5/8	9/16	1.69	Z4BHU
5/16	2.39	1.41	11/16	5/8	1.81	Z5BHU
3/8	2.46	1.45	3/4	11/16	1.88	Z6BHU
1/2	2.80	1.65	15/16	7/8	2.00	Z8BHU
5/8	2.87	1.69	1	1	2.06	Z10BHU
3/4	3.11	1.87	1-3/16	1-1/8	2.31	Z12BHU
1	3.75	2.26	1-5/8	1-1/2	2.81	Z16BHU

ZYLOK TUBE FITTINGS

PRODUCT PHOTOS:-

BULKHEAD UNION



ZYLOK TUBE FITTINGS

MALE ELBOW:-

METRIC RANGE

Dimensions in mm

T TUBE OD	P NPT Male	A Length	B	F A/F	G A/F	H	CHINTAN SALES PART NO.
4	1/8	24.61	9.53	12	12	19.05	Z4MME2
6	1/8	26.19	9.53	12	14	19.80	Z6MME2
6	1/4	26.19	14.29	12	14	19.80	Z6MME4
6	3/8	27.60	14.29	14	14	21.33	Z6MME6
6	1/2	29.40	19.05	19	14	23.11	Z6MME8
8	1/8	28.58	9.53	14	17	22.22	Z8MME2
8	1/4	28.58	14.29	14	17	22.22	Z8MME4
8	3/8	28.58	14.24	14	17	22.22	Z8MME6
8	1/2	31.75	19.05	19	17	24.00	Z8MME8
10	1/8	28.90	9.53	14	19	23.11	Z10MME2
10	1/4	28.90	14.29	14	19	23.11	Z10MME4
10	3/8	28.90	14.29	14	19	23.11	Z10MME6

ZYLOK TUBE FITTINGS

MALE ELBOW:-

METRIC RANGE

Dimensions in mm

T TUBE OD	P NPT Male	A Length	B	F A/F	G A/F	H	CHINTAN SALES PART NO.
10	1/2	30.60	19.05	19	19	24.89	Z10MME8
12	1/4	35.80	14.29	19	22	24.89	Z12MME4
12	3/8	35.80	14.29	19	22	24.89	Z12MME6
12	1/2	35.80	19.05	19	22	24.89	Z12MME8
16	3/8	36.51	14.29	19	27	26.19	Z16MME6
16	1/2	36.51	19.05	19	27	26.19	Z16MME8
18	1/2	39.69	19.05	27	30	29.37	Z18MME8
18	3/4	39.69	19.05	27	30	29.37	Z18MME6
20	1/2	39.69	19.05	27	30	29.37	Z20MME8
20	3/4	39.69	19.05	27	30	29.37	Z20MME12
25	3/4	45.24	19.05	32	41	33.34	Z25MME12
25	1	45.24	23.81	32	41	33.4	Z25MME16

ZYLOK TUBE FITTINGS

MALE ELBOW:-

IMPERIAL RANGE

Dimensions in inches

T TUBE OD	P NPT Male	A Length	B	F A/F	G A/F	H	CHINTAN SALES PART NO.
1/16	1/16	0.72	0.38	0.47	5/16	0.56	Z1ME1
1/16	1/8	0.72	0.38	0.47	5/16	0.56	Z1ME2
1/8	1/16	0.99	0.38	0.47	7/16	0.72	Z2ME1
1/8	1/8	0.94	0.38	0.47	7/16	0.72	Z2ME2
1/8	1/4	0.97	0.56	0.47	7/16	0.72	Z2ME4
3/16	1/8	1.01	0.38	0.47	1/2	0.75	Z3ME2
1/4	1/8	1.07	0.38	0.47	9/16	0.78	Z4ME2
1/4	1/4	1.07	0.56	0.47	9/16	0.78	Z4ME4
1/4	3/8	1.17	0.56	0.55	9/16	0.84	Z4ME6
1/4	1/2	1.26	0.75	0.75	9/16	0.91	Z4ME8
5/16	1/8	1.17	0.38	0.55	5/8	0.88	Z5ME2
5/16	1/4	1.17	0.56	0.55	5/8	0.88	Z5ME4

ZYLOK TUBE FITTINGS

MALE ELBOW:-

IMPERIAL RANGE

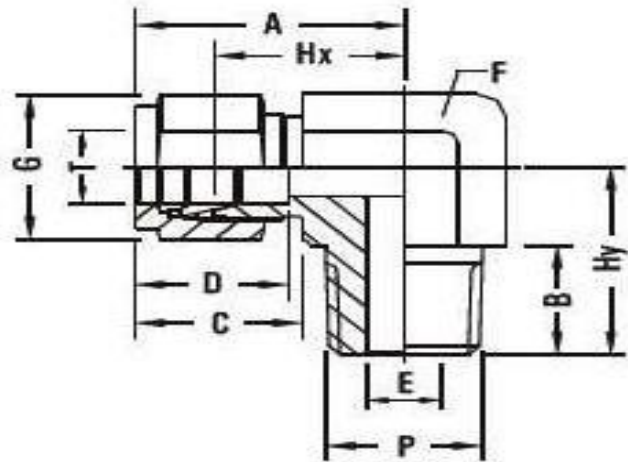
Dimensions in inches

T TUBE OD	P NPT Male	A Length	B	F A/F	G A/F	H	CHINTAN SALES PART NO.
3/8	1/8	1.20	0.38	0.55	11/16	0.91	Z6ME2
3/8	1/4	1.20	0.56	0.55	11/16	0.91	Z6ME4
3/8	3/8	1.23	0.56	0.55	11/16	0.91	Z6ME6
3/8	1/2	1.32	0.75	0.75	11/16	0.98	Z6ME8
1/2	1/4	1.38	0.56	0.75	7/8	0.98	Z8ME4
1/2	3/8	1.38	0.56	0.75	7/8	0.98	Z8ME6
1/2	1/2	1.44	0.75	0.75	7/8	0.98	Z8ME8
5/8	3/8	1.46	0.56	0.94	1	1.06	Z10ME6
5/8	1/2	1.46	0.75	0.94	1	1.06	Z10ME8
3/4	1/2	1.51	0.75	1.06	1-1/8	1.11	Z12ME8
3/4	3/4	1.51	0.75	1.06	1-1/8	1.11	Z12ME12
1	3/4	1.79	0.94	1.25	1-1/2	1.31	ZME
1	1	1.79	0.94	1.25	1-1/2	1.31	ZME

ZYLOK TUBE FITTINGS

PRODUCT PHOTOS:-

MALE ELBOW



ZYLOK TUBE FITTINGS

MALE BRANCH TEE:-

METRIC RANGE

Dimensions in mm

T TUBE OD	P NPT Male	A Length	B	F A/F	G A/F	H	CHINTAN SALES PART NO.
4	1/16	52.30	9.53	12	12	19.05	Z4MMBT1
4	1/8	52.30	9.53	12	12	19.05	Z4MMBT2
4	1/4	52.30	14.29	12	12	19.05	Z4MMBT4
6	1/8	54.42	9.53	12	14	19.80	Z6MMBT2
6	1/4	54.42	14.29	12	14	19.80	Z6MMBT4
6	3/8	57.46	14.29	14	14	21.33	Z6MMBT6
6	1/2	61.00	19.05	19	14	23.10	Z6MMBT8
8	1/8	59.40	9.53	14	17	22.22	Z8MMBT2
8	1/4	59.40	14.29	14	17	22.22	Z8MMBT4
8	3/8	59.40	14.29	14	17	22.22	Z8MMBT6
8	1/2	63.00	19.50	19	17	24.00	Z8MMBT8
10	1/8	61.60	9.53	14	19	23.10	Z10MMBT2
10	1/4	61.60	14.29	14	19	23.10	Z10MMBT4
10	3/8	61.60	14.29	14	19	23.10	Z10MMBT6
10	1/2	65.18	19.05	19	19	24.89	Z10MMBT8
12	1/4	69.98	14.29	19	22	24.89	Z12MMBT4
12	3/8	65.18	14.29	19	22	24.89	Z12MMBT6

ZYLOK TUBE FITTINGS

MALE BRANCH TEE:-

IMPERIAL RANGE

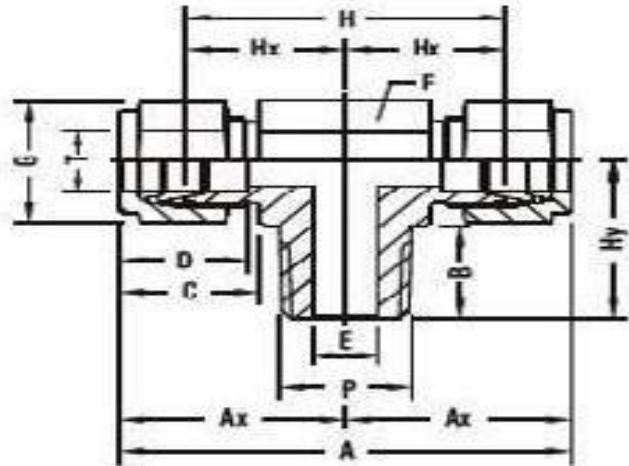
Dimensions in Inches

T TUBE OD	P NPT Male	A Length	B	F A/F	G A/F	H	CHINTAN SALES PART NO.
12	1/2	65.18	19.05	19	22	24.89	Z12MMBT8
16	1/2	72.78	19.05	24	27	26.19	Z16MMBT8
1/8	1/8	1.98	0.38	0.47	7/16	0.72	Z2MBT2
1/8	1/4	1.98	0.56	0.47	7/16	0.72	Z2MBT4
3/16	1/8	2.02	0.38	0.47	1/2	0.75	Z3MBT2
1/4	1/8	2.14	0.38	0.47	9/16	0.78	Z4MBT2
1/4	1/4	2.14	0.56	0.47	9/16	0.78	Z4MBT4
1/4	3/8	2.26	0.56	0.55	9/16	0.84	Z4MBT6
5/16	1/8	2.32	0.38	0.55	5/8	0.87	Z5MBT2
3/8	1/8	2.42	0.38	0.55	11/16	0.91	Z6MBT2
3/8	1/4	2.42	0.56	0.55	11/16	0.91	Z6MBT4
3/8	3/8	2.42	0.56	0.55	11/16	0.91	Z6MBT6
3/8	1/2	2.42	0.75	0.75	11/16	0.91	Z6MBT8
1/2	1/4	2.76	0.56	0.75	7/8	0.98	Z8MBT4
1/2	3/8	2.76	0.56	0.75	7/8	0.98	Z8MBT6
1/2	1/2	2.76	0.75	0.75	7/8	0.98	Z8MBT8
5/8	1/2	2.92	0.75	0.75	1	1.06	Z10MBT8

ZYLOK TUBE FITTINGS

PRODUCT PHOTOS:-

MALE BRANCH TEE



ZYLOK TUBE FITTINGS

UNION TEE:-

METRIC RANGE

Dimensions in mm

T TUBE OD	P NPT Male	A Length	B	F A/F	G A/F	H	CHINTAN SALES PART NO.
4	52.30	14.29	19.00	12	12	38.00	Z4MUT
6	54.40	15.88	19.80	12	14	39.60	Z6MUT
8	59.40	16.67	22.20	14	17	44.40	Z8MUT
10	61.60	17.46	23.10	14	19	46.20	Z10MUT
12	70.00	23.02	24.90	19	22	49.80	Z12MUT
16	72.78	24.61	26.19	24	27	52.38	Z16MUT
18	78.74	24.61	29.37	27	30	58.74	Z18MUT
20	78.74	24.61	29.37	27	30	58.74	Z20MUT
25	90.48	30.96	67.08	32	41	67.08	Z25MUT

ZYLOK TUBE FITTINGS

UNION TEE:-

IMPERIAL RANGE

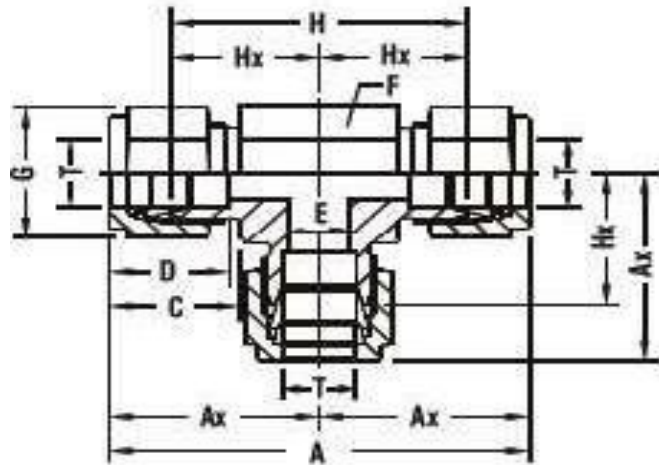
Dimensions in Inches

T TUBE OD	P NPT Male	A Length	B	F A/F	G A/F	H	CHINTAN SALES PART NO.
1/16	1.44	0.34	0.56	0.47	5/16	1.12	Z1UT
1/8	1.98	0.50	0.72	0.47	7/16	1.44	Z2UT
3/16	2.02	0.54	0.75	0.47	1/2	1.50	Z3UT
1/4	2.25	0.60	0.78	0.47	9/16	1.56	Z4UT
5/16	2.34	0.64	0.88	0.55	5/8	1.76	Z5UT
3/8	2.40	0.66	0.91	0.55	11/16	1.82	Z6UT
1/2	2.76	0.90	0.98	0.75	7/8	1.96	Z8UT
5/8	2.92	0.96	1.06	0.94	1	2.12	Z10UT
3/4	3.02	0.96	1.11	1.06	1-1/8	2.22	Z12UT
1	3.58	1.23	1.31	1.25	1-1/2	2.62	Z16UT

ZYLOK TUBE FITTINGS

PRODUCT PHOTOS:-

UNION TEE



ZYLOK TUBE FITTINGS

UNION ELBOW:-

METRIC RANGE

Dimensions in mm

T TUBE OD	A Length	D	F A/F	G A/F	Hx	CHINT AN SALES
4	24.61	14.29	12	12	19.05	Z4MELU
6	26.19	15.88	12	14	19.81	Z6MELU
8	28.58	16.67	14	17	22.23	Z8MELU
10	29.37	17.46	14	19	23.11	Z10MELU
12	34.93	23.02	19	22	24.89	Z12MELU
16	36.51	24.61	24	27	26.19	Z16MELU
18	39.69	24.61	27	30	29.37	Z18MELU
20	39.69	26.00	27	30	29.37	Z20MELU
25	45.24	30.96	32	41	33.34	Z25MELU

ZYLOK TUBE FITTINGS

UNION ELBOW:-

METRIC RANGE

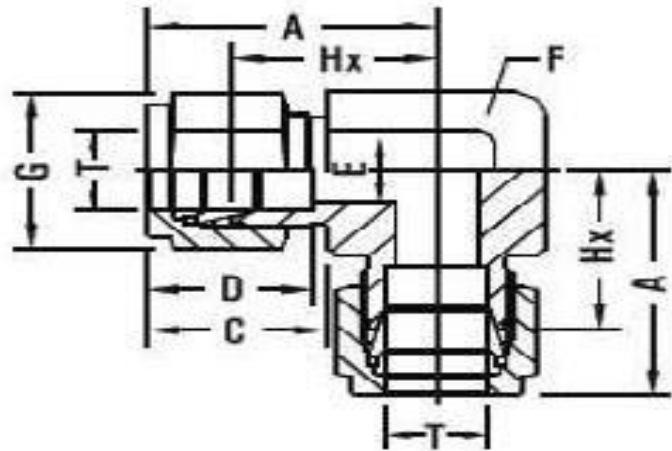
Dimensions in mm

T TUBE OD	A Length	D	F A/F	G A/F	Hx	CHINT AN SALES
1/16	0.72	0.34	0.47	5/16	0.56	Z1ELU
1/8	0.94	0.53	0.47	7/16	0.72	Z2ELU
3/16	1.01	0.54	0.47	1/2	0.75	Z3ELU
1/4	1.07	0.60	0.47	9/16	0.78	Z4ELU
5/16	1.17	0.64	0.55	5/8	0.88	Z5ELU
3/8	1.20	0.66	0.55	11/16	0.91	Z6ELU
1/2	1.38	0.90	0.74	7/8	0.98	Z8ELU
5/8	1.46	0.96	0.94	1	1.06	Z10ELU
3/4	1.51	0.96	1.06	1-1/8	1.11	Z12ELU
1	1.79	1.23	1.26	1-1/2	1.31	Z16ELU

ZYLOK TUBE FITTINGS

PRODUCT PHOTOS:-

UNION ELBOW



ZYLOK TUBE FITTINGS

FEMALE ELBOW:-

METRIC RANGE

Dimensions in mm

T TUBE OD	P NPT Male	A Length	B	F A/F	G A/F	Hx	CHINT AN SALES
4	1/8	24.20	10	12	12.70	17.80	Z4MFE2
6	1/8	26.40	10	14	14.00	19.00	Z6MFE2
6	1/4	29.70	14	19	14.00	22.30	Z6MFE4
6	3/8	34.50	14	22	14.00	23.00	Z6MFE6
6	1/2	34.50	19	27	14.00	27.00	Z6MFE8
8	1/8	29.70	10	14	17.00	22.35	Z8MFE2
8	1/4	30.48	14	19	17.00	23.20	Z8MFE4
8	3/8	33.50	14	22	17.00	25.00	Z8MFE6
8	1/2	33.50	19	27	17.00	30.00	Z8MFE8
10	1/8	30.40	10	17	19.00	23.22	Z10MFE2
10	1/4	31.24	14	19	19.00	23.88	Z10MFE4
10	3/8	33.50	14	22	19.00	25.00	Z10MFE6
10	1/2	35.80	19	27	19.00	28.50	Z10MFE8
12	1/4	35.00	14	22	22.00	25.00	Z12MFE4
12	3/8	36.32	14	22	22.00	25.00	Z12MFE6
12	1/2	38.60	19	27	22.00	25.00	Z12MFE8
16	1/2	38.60	19	27	27.00	28.50	Z16MFE8

ZYLOK TUBE FITTINGS

FEMALE ELBOW:-

IMPERIAL RANGE

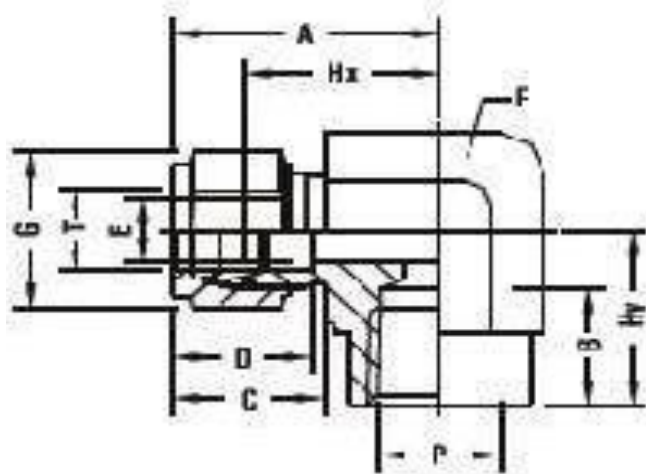
Dimensions in Inches

T TUBE OD	P NPT Male	A Length	B	F A/F	G A/F	Hx	CHINT AN SALES
1/8	1/8	0.95	0.39	0.50	7/16	0.69	Z2FE2
1/8	1/4	1.07	0.59	0.69	7/16	0.81	Z2FE4
3/16	1/8	0.98	0.39	0.50	1/2	0.72	Z3FE2
1/4	1/8	1.04	0.39	0.50	9/16	0.75	Z4FE2
1/4	1/4	1.17	0.59	0.69	9/16	0.88	Z4FE4
5/16	1/8	1.17	0.39	0.63	5/8	0.88	Z5FE2
5/16	1/4	1.20	0.59	0.69	5/8	0.91	Z5FE4
3/8	1/8	1.20	0.39	0.63	11/16	0.91	Z6FE2
3/8	1/4	1.23	0.59	0.69	11/16	0.94	Z6FE4
3/8	3/8	1.32	0.59	0.81	11/16	1.03	Z6FE6
3/8	1/2	1.41	0.78	1.00	11/16	1.12	Z6FE8
1/2	1/4	1.38	0.59	0.81	7/8	0.98	Z8FE2
1/2	3/8	1.43	0.59	0.80	7/8	1.03	Z8FE6
1/2	1/2	1.52	0.78	1.00	7/8	1.12	Z8FE8
5/8	3/8	1.46	0.59	0.94	1	1.06	Z10FE6
5/8	1/2	1.53	0.78	1.00	1	1.12	Z10FE8
3/4	1/2	1.51	0.78	1.06	1-1/8	1.11	ZFE
3/4	3/4	1.65	0.81	1.25	1-1/8	1.25	Z12FE12

ZYLOK TUBE FITTINGS

PRODUCT PHOTOS:-

FEMALE ELBOW



ZYLOK TUBE FITTINGS

MALE RUN TEE:-

METRIC RANGE

Dimensions in mm

T TUBE OD	P NPT Male	A Length	B	Hx	F A/F	G A/F	H	CHINT AN SALES
4	1/16	45.45	9.53	19.05	12	12	38.10	Z4MRT1
4	1/8	45.45	9.53	19.05	12	12	38.10	Z4MRT2
4	1/4	50.00	14.29	19.05	12	12	38.10	Z4MRT4
6	1/8	46.51	9.53	19.81	12	14	39.62	Z6MRT2
6	1/4	51.09	14.29	19.81	12	14	39.62	Z6MRT4
6	3/8	54.14	14.29	21.34	14	14	42.68	Z6MRT6
6	1/2	62.51	19.05	23.11	19	14	43.22	Z6MRT8
8	1/8	50.56	9.53	22.23	14	17	44.46	Z8MRT2
8	1/4	55.13	14.29	22.23	14	17	44.46	Z8MRT4
8	3/8	55.13	14.29	22.23	14	17	44.46	Z8MRT6
8	1/2	63.50	19.05	24.00	19	17	48.00	Z8MRT8
10	1/8	51.64	9.53	23.11	14	19	46.22	Z10MRT2
10	1/4	56.21	14.29	23.11	14	19	46.22	Z10MRT4
10	3/8	56.21	14.29	23.11	14	19	46.22	Z10MRT6
10	1/2	64.59	19.05	24.89	19	19	49.78	Z10MRT8
12	1/4	62.42	14.29	24.89	19	22	49.78	Z12MRT4
12	3/8	62.42	14.29	24.89	19	22	49.78	Z12MRT6
12	1/2	66.99	19.05	24.89	19	22	49.78	Z12MRT8
16	1/2	71.32	19.05	24.89	24	27	52.38	16ZMRT8

ZYLOK TUBE FITTINGS

MALE RUN TEE:-

METRIC RANGE

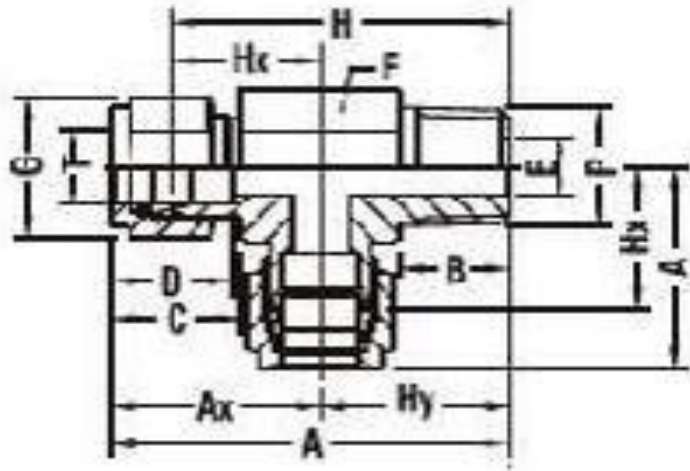
Dimensions in mm

T TUBE OD	P NPT Male	A Length	B	Hx	F A/F	G A/F	H	CHINT AN SALES
1/8	1/8	1.76	0.38	0.72	0.47	7/16	0.72	Z2RT2
1/8	1/4	1.94	0.56	0.72	0.47	7/16	0.72	Z2RT4
3/16	1/8	1.76	0.38	0.75	0.47	1/2	0.75	Z3RT2
1/4	1/8	1.83	0.38	0.78	0.47	9/16	0.78	Z4RT2
1/4	1/4	2.01	0.56	0.78	0.47	9/16	0.78	Z4RT4
5/16	1/8	1.98	0.38	0.87	0.55	5/8	0.87	Z5RT2
3/8	1/4	2.21	0.56	0.91	0.55	11/16	0.91	Z6RT4
1/2	3/8	2.46	0.56	2.06	0.74	7/8	0.98	Z8RT8
1/2	1/2	2.64	0.75	2.24	0.74	7/8	0.98	Z8RT8
5/8	1/2	2.85	0.75	2.40	0.74	1	1.06	Z10RT8

ZYLOK TUBE FITTINGS

PRODUCT PHOTOS:-

MALE RUN TEE



ZYLOK TUBE FITTINGS

UNION CROSS:-

METRIC RANGE

Dimensions in mm

T TUBE OD	A Length	D	F A/F	G A/F	H	CHINT AN SALES
4	52.30	14.29	12	22	38.00	Z4MUC
6	54.40	15.88	12	14	39.60	Z6MUC
8	59.40	16.67	14	17	44.40	Z8MUC
10	61.60	17.46	14	19	46.20	Z10MUC
12	70.00	23.02	17	22	49.80	Z12MUC
16	72.78	24.61	24	27	52.39	Z16MUC

IMPERIAL RANGE

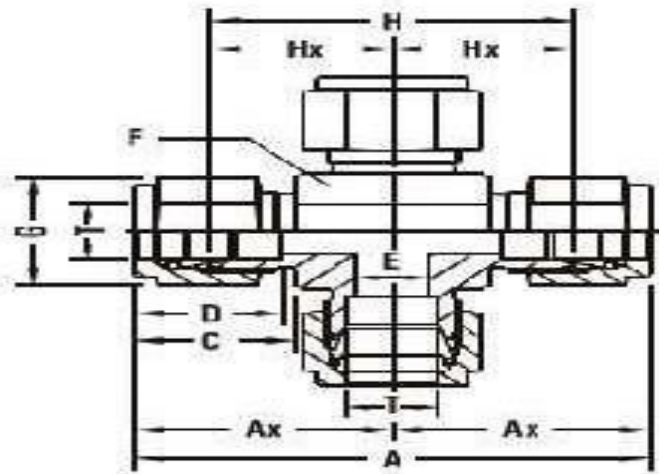
Dimensions in Inches

T TUBE OD	A Length	D	F A/F	G A/F	H	CHINT AN SALES
1/8	1.98	0.53	0.50	7/16	1.44	Z2UC
3/16	2.02	0.54	0.50	1/2	1.50	Z3UC
1/4	2.14	0.60	0.50	9/16	1.56	Z4UC
5/16	2.34	0.64	0.62	5/8	1.76	Z5UC
3/8	2.40	0.66	0.62	11/16	1.82	Z6UC
1/2	2.76	0.90	0.81	7/8	1.96	Z8UC
5/8	2.92	0.96	0.81	1	2.12	Z10UC

ZYLOK TUBE FITTINGS

PRODUCT PHOTOS:-

UNION CROSS



ZYLOK TUBE FITTINGS

TUBE END CLOSURE (CAP):-

METRIC RANGE

Dimensions in mm

T TUBE OD	A Length	D	F A/F	G A/F	H	CHINT AN SALES
4	21.83	14.29	12	12	14.68	Z4MTC
6	23.81	15.88	14	14	15.88	Z6MTC
8	25.00	16.67	14	17	17.67	Z8MTC
10	26.19	17.46	17	19	18.26	Z10MTC
12	29.37	23.02	22	22	19.05	Z12MTC
16	30.16	24.61	24	27	19.84	Z16MTC
18	31.75	24.61	27	30	21.43	Z18MTC
20	31.75	24.61	27	30	21.43	Z20MTC
25	38.10	30.96	36	41	26.19	Z25MTC

ZYLOK TUBE FITTINGS

TUBE END CLOSURE (CAP):-

IMPERIAL RANGE

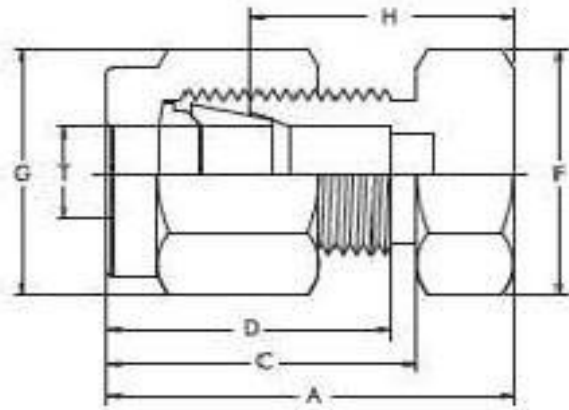
Dimensions in Inches

T TUBE OD	A Length	D	F A/F	G A/F	H	CHINT AN SALES
1/16	0.59	0.34	5/16	5/16	0.44	Z1TC
1/8	0.81	0.53	1/2	7/16	0.53	Z2TC
3/16	0.84	0.54	7/16	1/2	0.58	Z3TC
1/4	0.91	0.60	1/2	9/16	0.62	Z4TC
5/16	0.96	0.64	9/16	5/8	0.67	Z5TC
3/8	1.01	0.66	5/8	11/16	0.72	Z6TC
1/2	1.15	0.90	13/16	7/8	0.75	Z8TC
5/8	1.18	0.96	15/16	1	0.78	Z10TC
3/4	1.24	0.96	1-1/16	1-1/8	0.84	Z12TC
1	1.51	1.23	1-3/8	1-1/2	1.03	Z16TC

ZYLOK TUBE FITTINGS

PRODUCT PHOTOS:-

TUBE END CLOSURE (CAP)



ZYLOK TUBE FITTINGS

NUT:-

METRIC RANGE

Dimensions in mm

T TUBE OD	L	G A/F	CHINT AN SALES
4	11.80	12	Z4MN
6	12.70	14	Z6MN
8	13.49	17	Z8MN
10	14.29	19	Z10MN
12	17.46	22	Z12MN
16	17.46	27	Z16MN
18	17.46	30	Z18MN
20	17.46	30	Z20MN
25	20.64	41	Z25MN

ZYLOK TUBE FITTINGS

NUT:-

IMPERIAL RANGE

Dimensions in Inches

T TUBE OD	L	G A/F	CHINT AN SALES
1/16	0.31	5/16	Z1N
1/8	0.47	7/16	Z2N
3/16	0.47	1/2	Z3N
1/4	0.50	9/16	Z4N
5/16	0.53	5/8	Z5N
3/8	0.56	11/16	Z6N
1/2	0.69	7/8	Z8N
5/8	0.69	1	Z10N
3/4	0.69	1-1/8	Z12N
1	0.80	1-1/2	Z16N

ZYLOK TUBE FITTINGS

NUT:-

METRIC RANGE

Dimensions in mm

T TUBE OD	CHINT AN SALES	CHINT AN SALES
4	Z4MFF	Z4MBF
6	Z6MFF	Z6MBF
8	Z8MFF	Z8MBF
10	Z10MFF	Z10MBF
12	Z12MFF	Z12MBF
16	Z16MFF	Z16MBF
18	Z18MFF	Z18MBF
20	Z20MFF	Z20MBF
25	Z25MFF	Z25MBF

ZYLOK TUBE FITTINGS

NUT:-

METRIC RANGE

Dimensions in mm

T TUBE OD	CHINT AN SALES	CHINT AN SALES
1/16	Z1FF	Z1BF
1/8	Z2FF	Z2BF
3/16	Z3FF	Z3BF
1/4	Z4FF	Z4BF
5/16	Z5FF	Z5BF
3/8	Z6FF	Z6BF
1/2	Z8FF	Z8BF
5/8	Z10FF	Z10BF
3/4	Z12FF	Z12BF
1	Z16FF	Z16BF

ZYLOK TUBE FITTINGS

NUT:-

METRIC RANGE

Dimensions in mm

T TUBE OD	G A/F	CHINT AN SALES
4	12	Z4MTC
6	14	Z6MTC
8	17	Z8MTC
10	19	Z10MTC
12	22	Z12MTC
16	27	Z16MTC
18	30	Z18MTC
20	30	Z20MTC
25	41	Z25MTC

ZYLOK TUBE FITTINGS

NUT:-

IMPERIAL RANGE

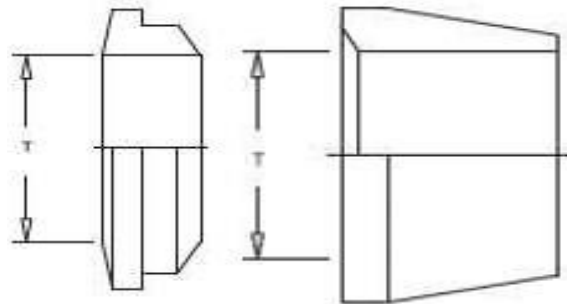
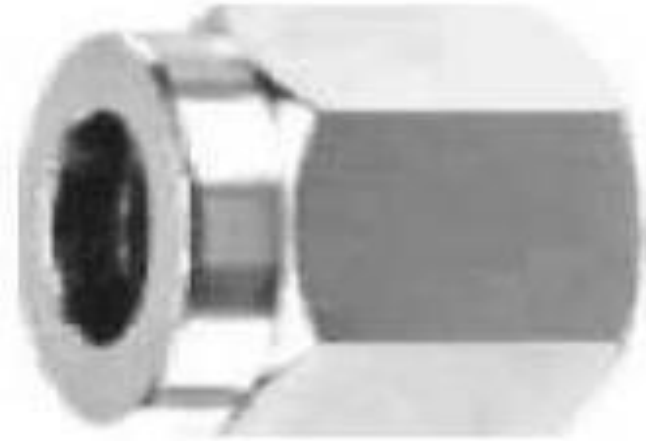
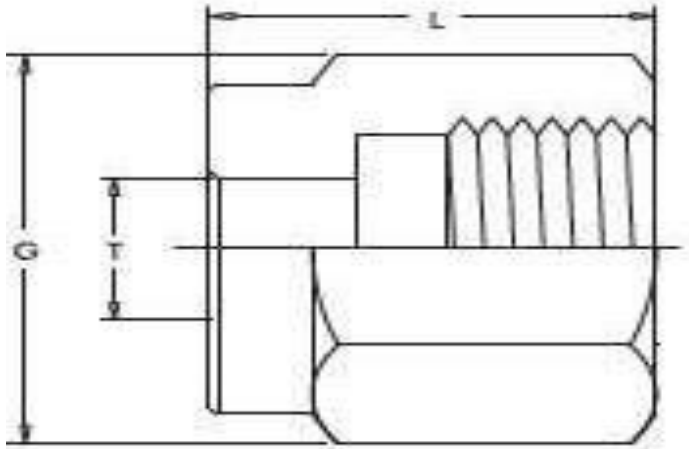
Dimensions in Inches

T TUBE OD	G A/F	CHINT AN SALES
1/16	5/16	Z1TC
1/8	7/16	Z2TC
3/16	1/2	Z3TC
1/4	9/16	Z4TC
5/16	5/8	Z5TC
3/8	11/16	Z6TC
1/2	7/8	Z8TC
5/8	1	Z10TC
3/4	1-1/8	Z12TC
1	1-1/2	Z16TC

ZYLOK TUBE FITTINGS

PRODUCT PHOTOS:-

NUT



BACK FERRULE

FRONT FERRULE

